

DINLY

HELIX

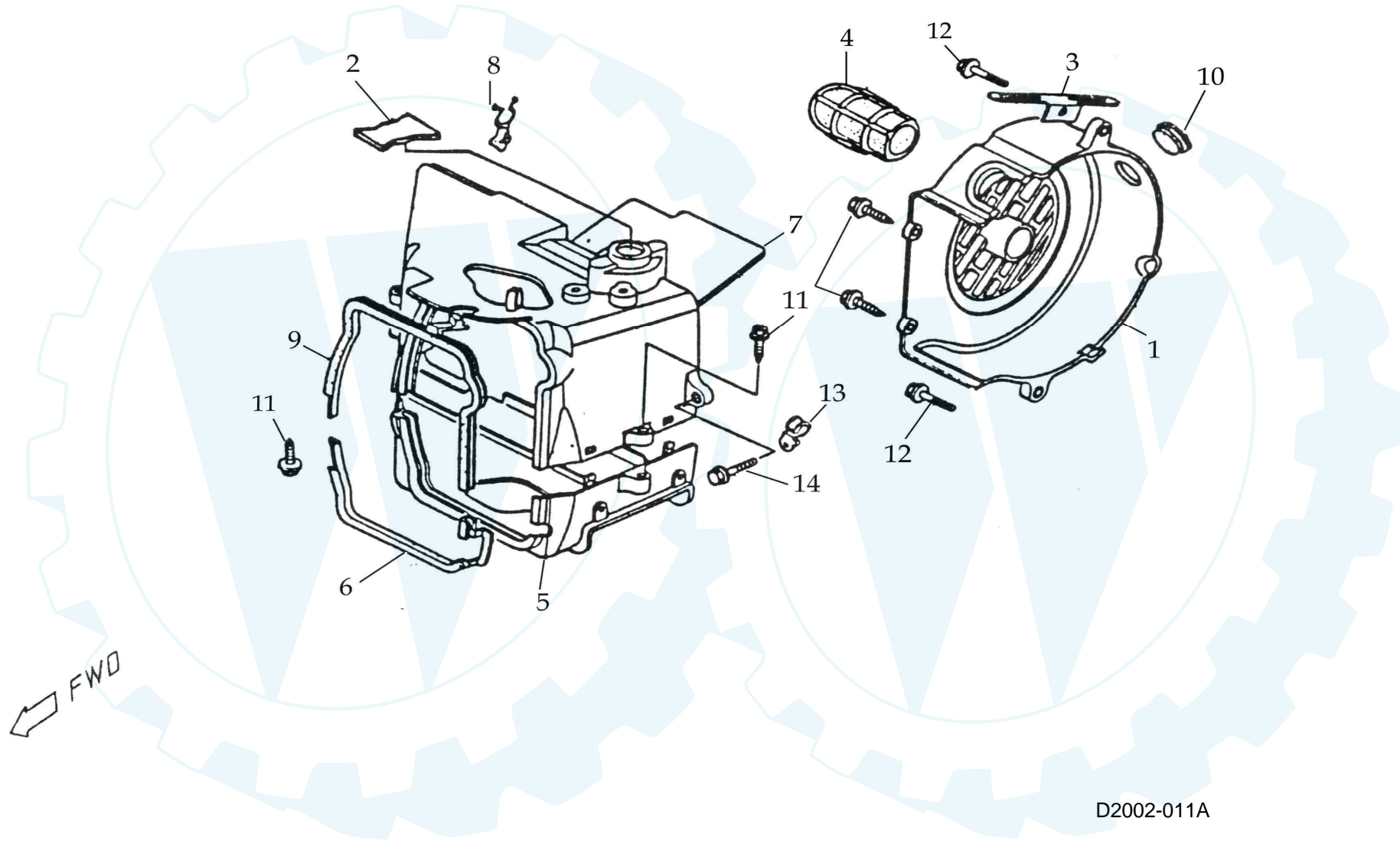
150

SPARE

PARTS



Fan Cover.Shroud

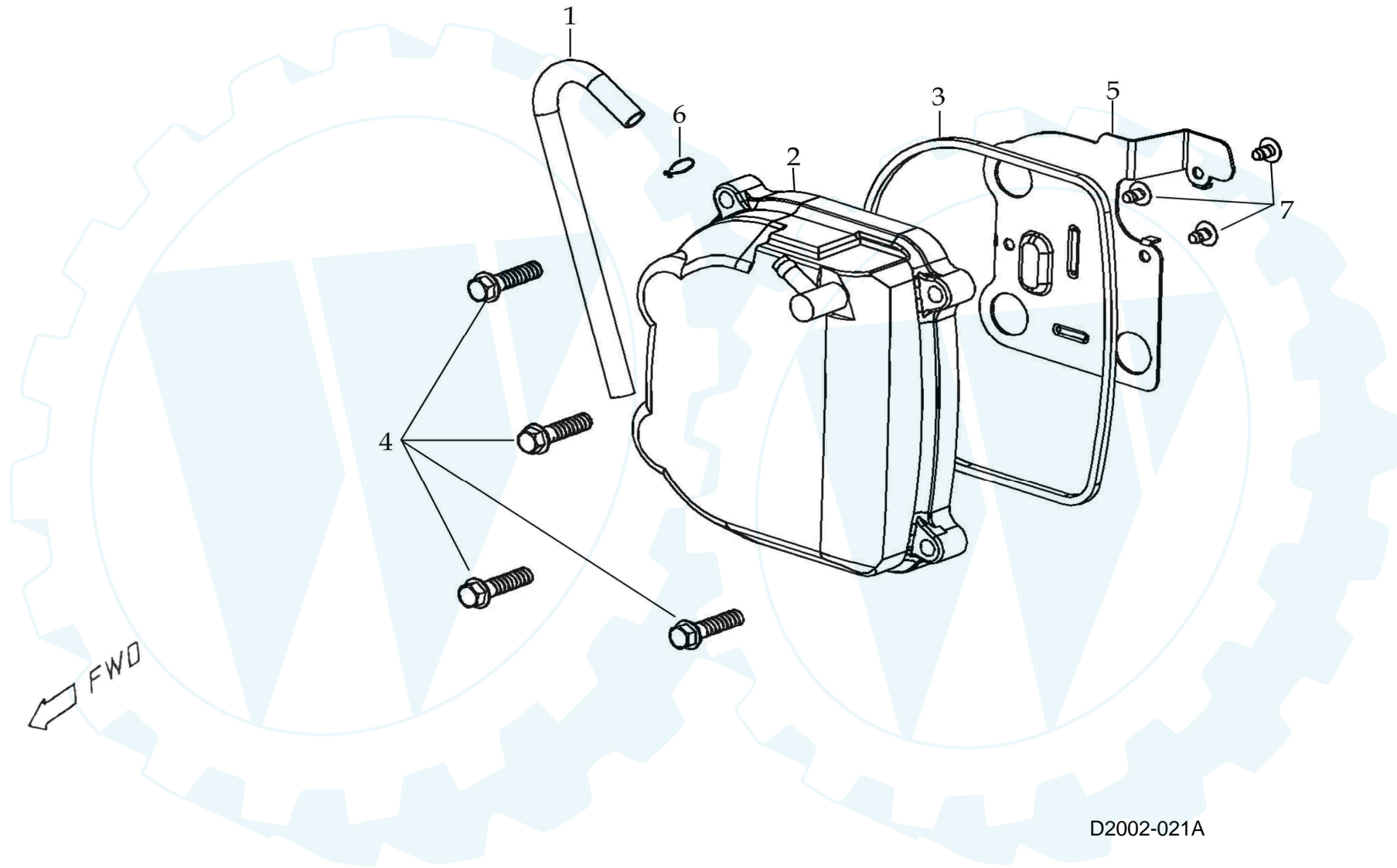


Fan Cover.Shroud

Model	Item	Part no	Description	Specification	Quantity	Note
	01	E020105	COVER COMP,FAN		1	
	02	E020114	GROMMET, shroud A		1	
	03	E020106	CLAMPER, starter cable		1	
	04	E020107	CARBURETOR COOLING DUCT		1	
	05	E020108	SHROUD A		1	
	06	E020109	SEAL, shroud A		1	
	07	E020110	SHROUD B		1	
	08	E020153	CLIP, high tension cord		1	
	09	E020111	SEAL, shroud B		1	
	10	E020112	GROMMET B,side panel		1	
	11	A130017	TAPPING SCREW	M5X16L	4	
	12	A050121	BOLT,flange	M6X1.0X25L	2	
	13	E020113	CLAMPER, carb. Drain tube		1	
	14	A050016	BOLT,flange	M6X1.0X20L	1	

D2002-012A

Cylinder Head Cover



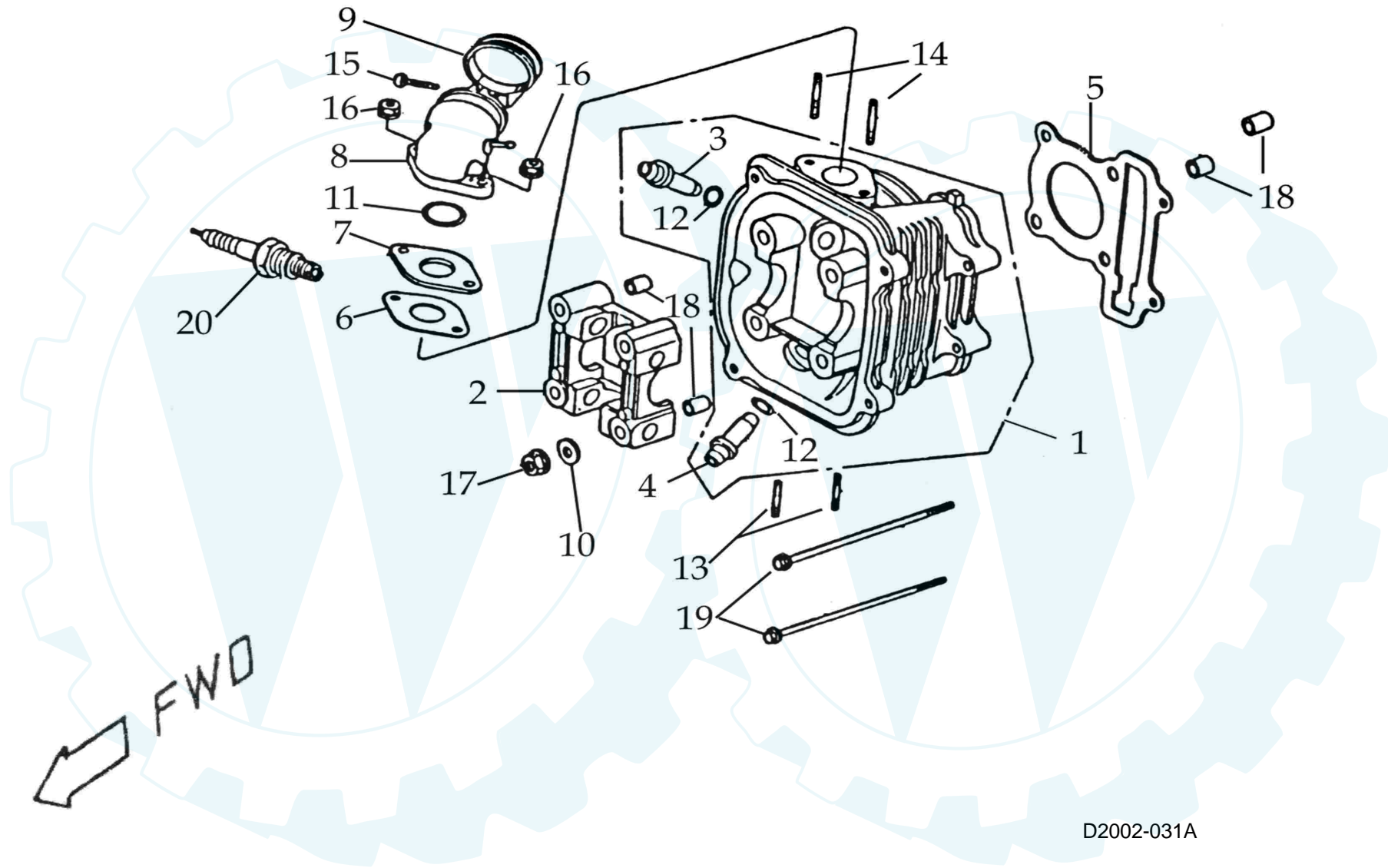
D2002-021A

Cylinder Head Cover

Model	Item	Part no	Description	Specification	Quantity	Note
	01	E020115	BREATHER TUBE		1	
	02	E020034	COVER COMP, cylinder head		1	
	03	E020116	GASKET, cylinder head cover		1	
	04	A050121	BOLT, flange	M6X1.0X25L	4	
	05	E020147	PLATE		1	
	06	E020152	TUBE CLIP	B8	1	
	07	A130015	TAPPING SCREW	M4X0.7X7L	3	

D2002-022A

Cylinder Head



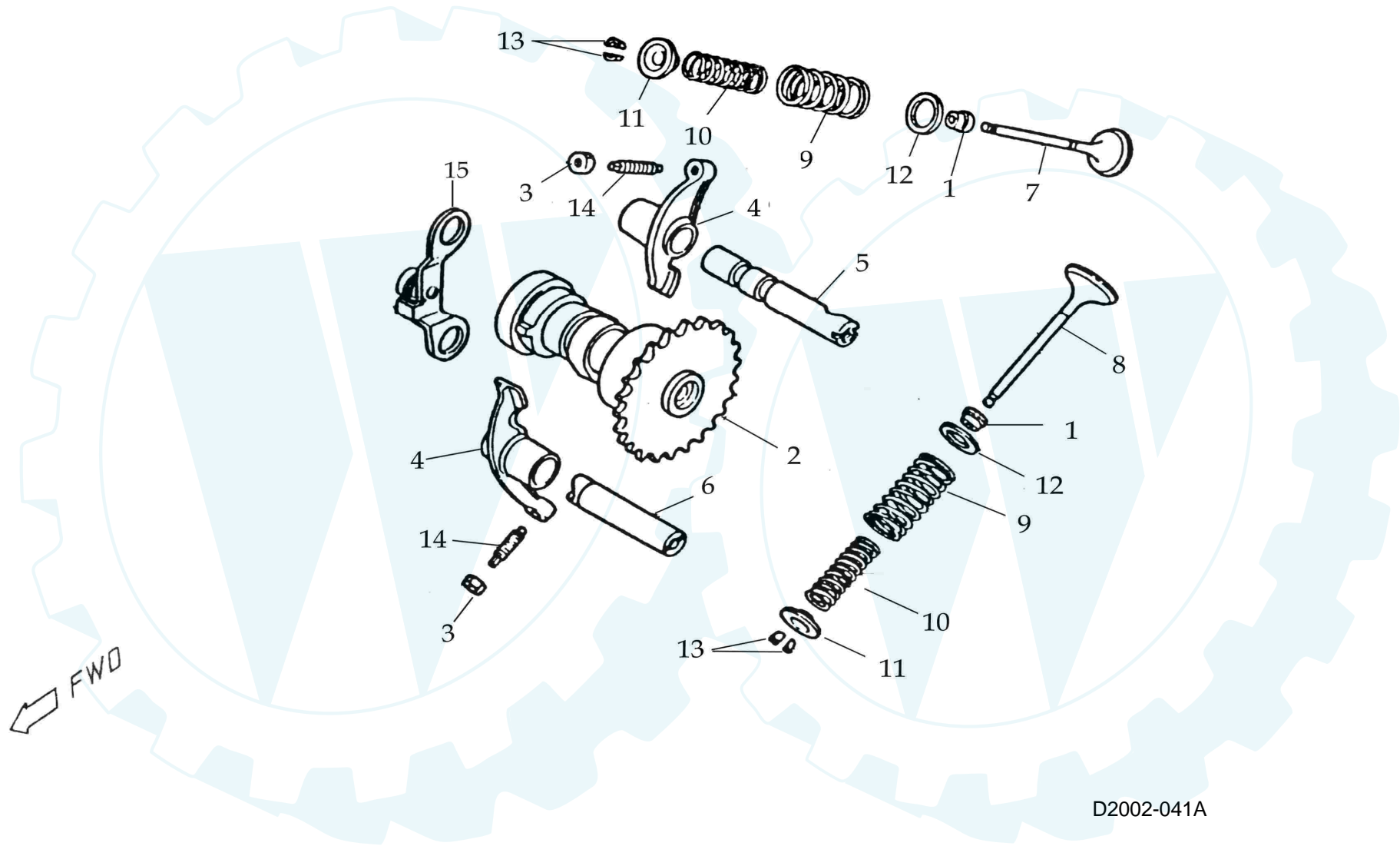
D2002-031A

Cylinder Head

Model	Item	Part no	Description	Specification	Quantity	Note
	01	E020124	CYLINDER HEAD COMP		1	
	02	E020161	CAMSHAFT HOLDER		1	
	03		GUIDE, IN. Valve		1	
	04		GUIDE, EX. Valve		1	
	05	E020044	GASKET, cylinder head		1	
	06	E020045	GASKET, carburetor insulator		1	
	07	E020046	CARBURETOR INSULATOR		1	
	08	E020047	INTAKE DUCT		1	
	09	E020134	BAND, intake duct		1	
	10	A080025	WASHER	Ø8XØ15X2	4	
	11	A040018	O-RING	Ø27XØ2.0	1	
	12	A040017	O-RING	Ø9XØ1.6	2	
	13	A140005	STUD BOLT	M8X32L	2	
	14	A140006	STUD BOLT	M6X1.0X50L	2	
	15	A050147	SCREW, pan head	M4X0.7X25L	1	
	16	A060009	NUT, flange	M6X1.0	2	
	17	A060013	NUT, flange	M8X1.25	4	
	18	A070019	DOWEL PIN	Ø10X16L	4	
	19	A050127	BOLT, flange	M6X1.0X100L	2	
	20	A160001	SPARK PLUG	C7HSA NGK	1	

D2002-032A

Camshaft.Valve

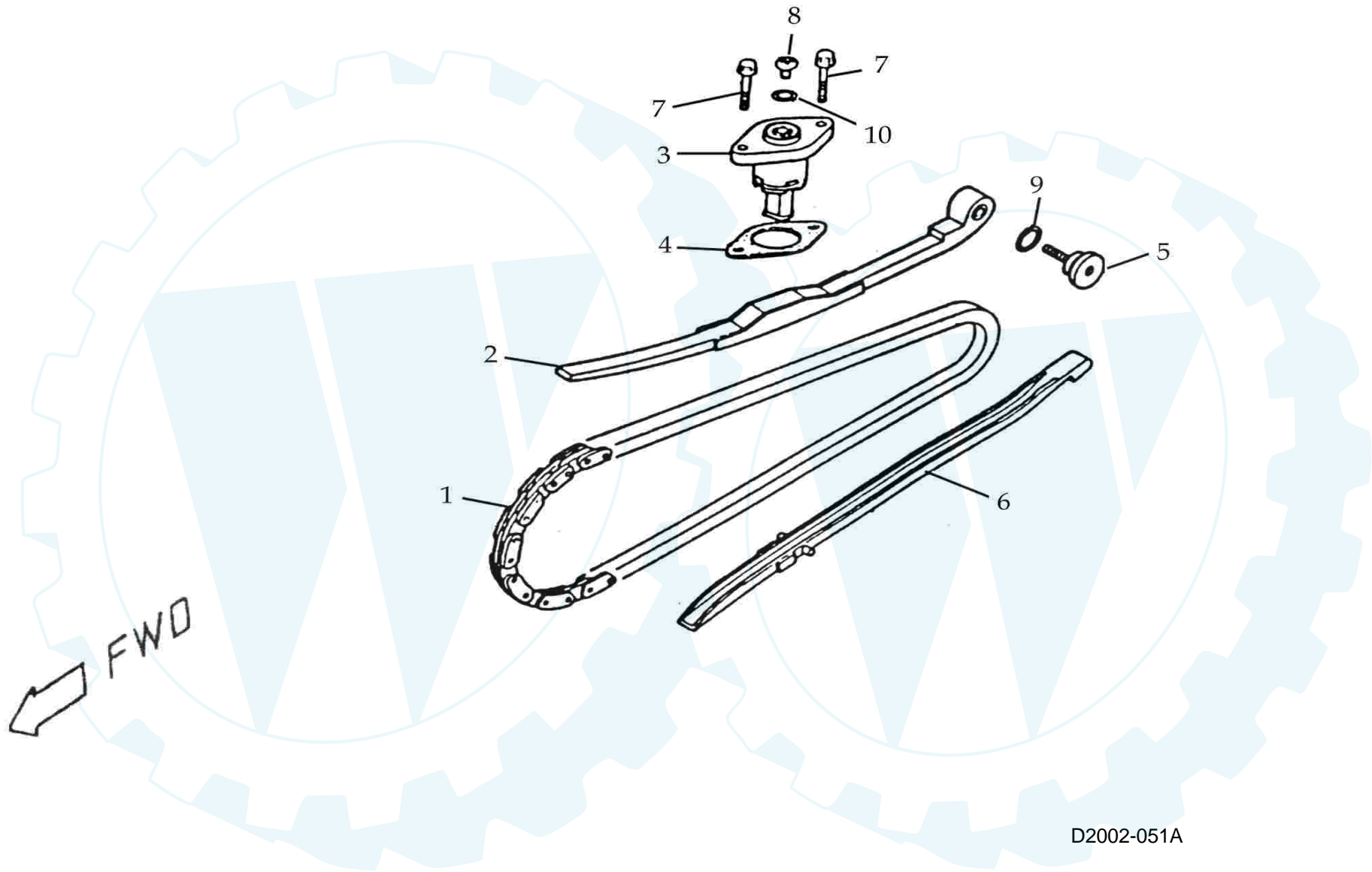


Camshaft.Valve

Model	Item	Part no	Description	Specification	Quantity	Note
.	01	E020048	SEAL, valve stem		2	
.	02	E020125	CAMSHAFT COMP		1	
.	03	E020062	NUT, taper adjusting		2	
.	04	E020051	VALVE ROCKER ARM		2	
.	05	E020052	SHAFT COMP, IN. rocker arm		1	
.	06	E020053	SHAFT COMP, EX. rocker arm		1	
.	07	E020120	INTAKE VALVE		1	
.	08	E020121	EXHAUST VALVE		1	
.	09	E020056	OUTER VALVE SPRING		2	
.	10	E020057	INNER VALVE SPRING		2	
.	11	E020058	RETAINER, valve spring		2	
.	12	E020059	SEAT, valve spring		2	
.	13	E020060	LOCK, valve		4	
.	14	E020061	SCREW, taper adjusting		2	
.	15	E020050	PLATE COMP.,stopper		1	

D2002-042A

Cam Chain.Tensioner



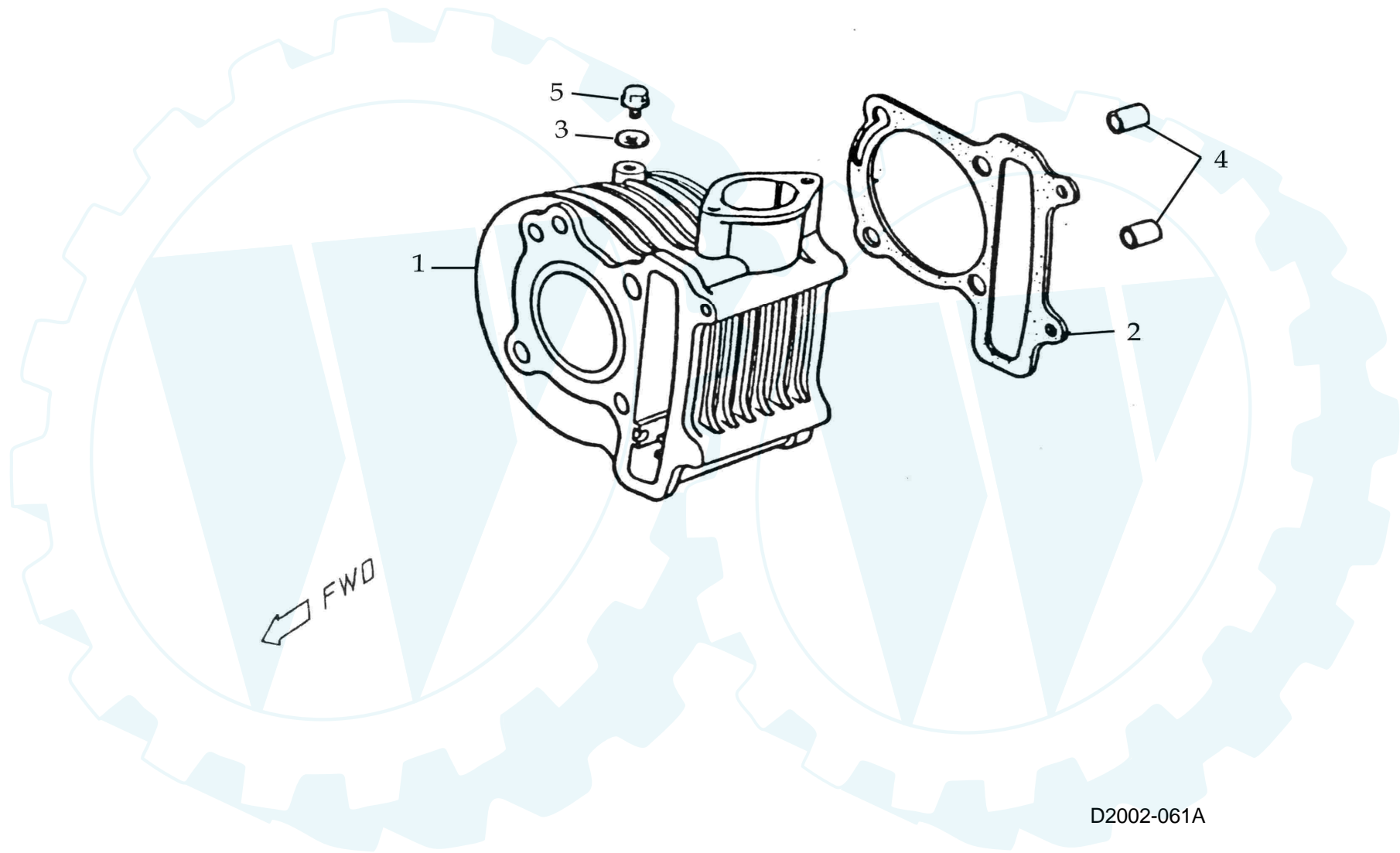
D2002-051A

Cam Chain.Tensioner

Model	Item	Part no	Description	Specification	Quantity	Note
	01	E020063	CHAIN, cam		1	
	02	E020064	CAM CHAIN TENSIONER		1	
	03	E020065	TENSIONER LIFTER ASSY		1	
	04	E020066	GASKET, tensioner lifter		1	
	05	E020067	PIVOT, cam chain tensioner		1	
	06	E020068	GUIDE COMP, cam chain		1	
	07	A050131	BOLT, flange	M6X22L P1.0	2	
	08	A050148	SCREW, pan head	M6X6L P1.0	1	
	09	A040019	O-RING	Ø15.2XØ1.5	1	
	10	A040015	O-RING	Ø9.5XØ1.5	1	

D2002-052A

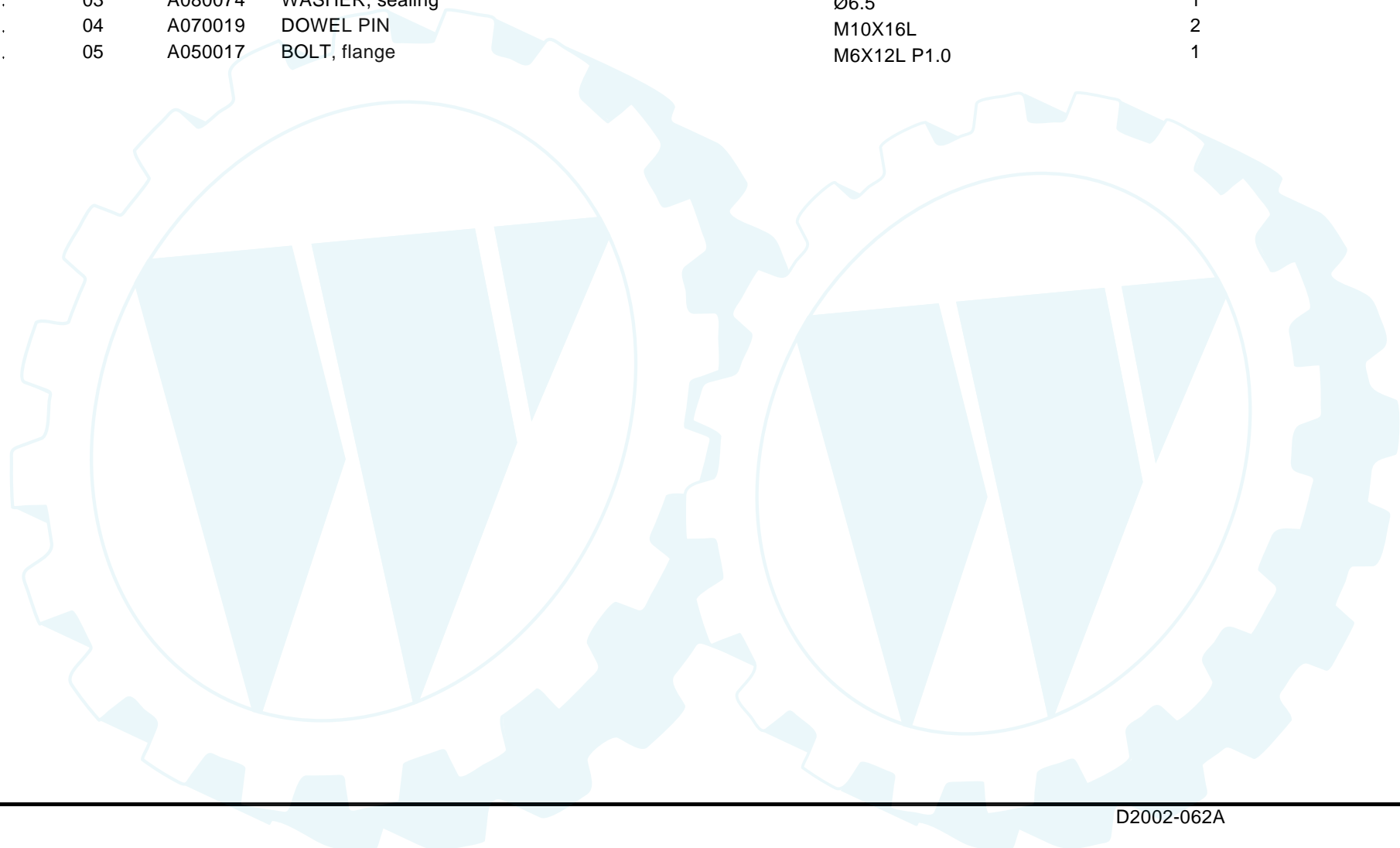
Cylinder



D2002-061A

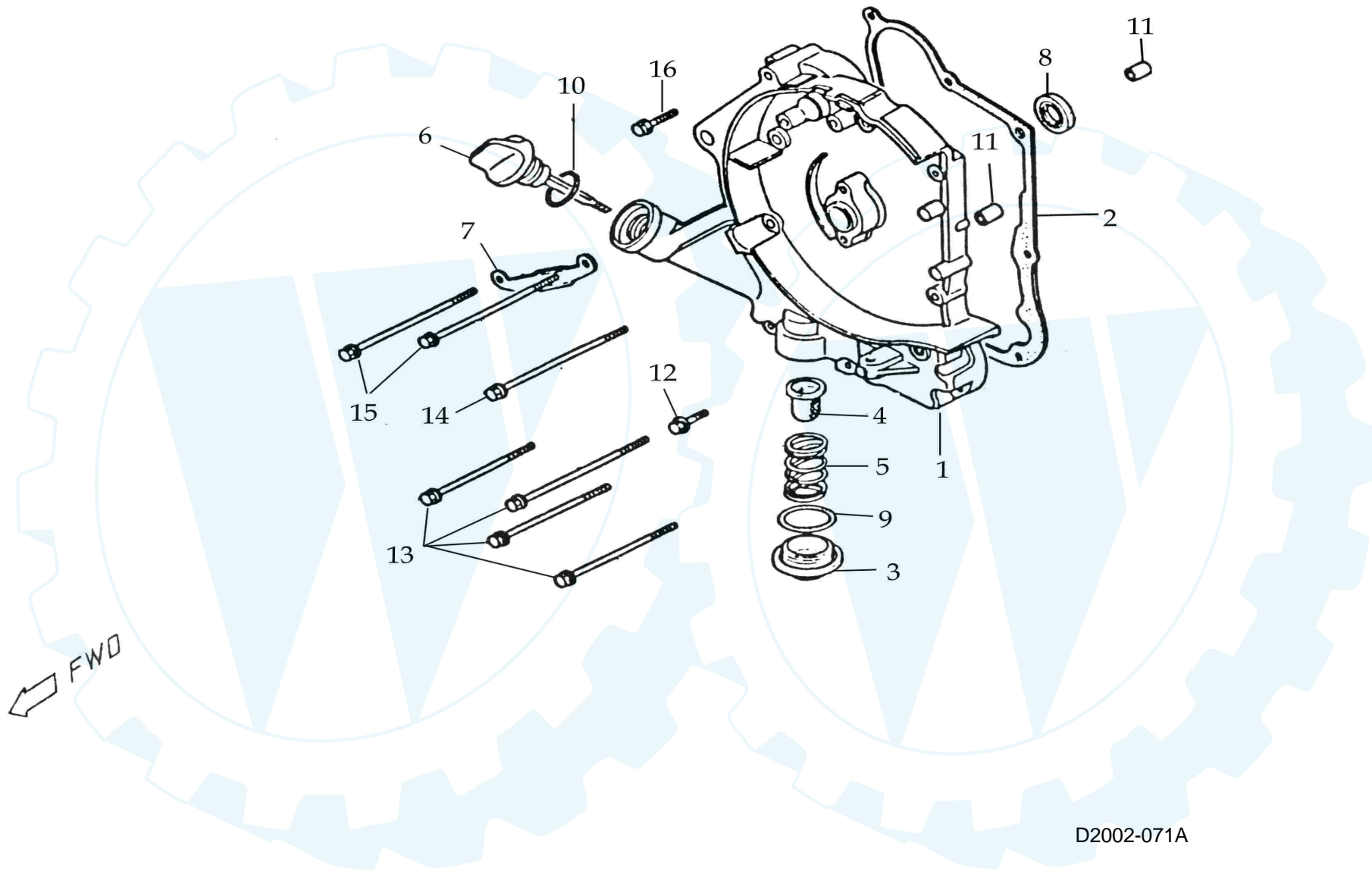
Cylinder

Model	Item	Part no	Description	Specification	Quantity	Note
	01	E020122	CYLINDER COMP		1	
	02	E020123	GASKET, cylinder		1	
.	03	A080074	WASHER, sealing	Ø6.5	1	
.	04	A070019	DOWEL PIN	M10X16L	2	
.	05	A050017	BOLT, flange	M6X12L P1.0	1	



D2002-062A

Right Crankcase Cover

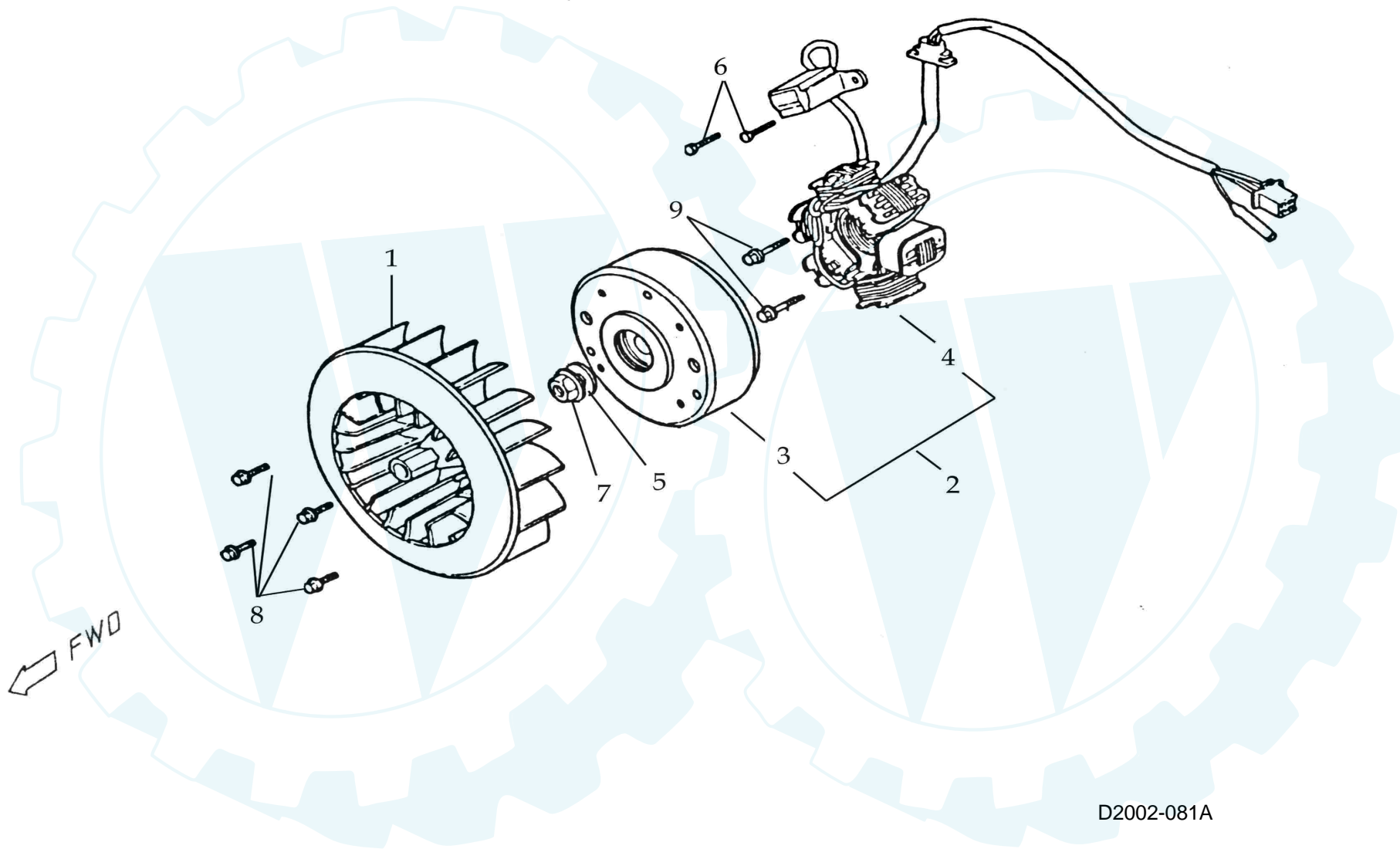


Right Crankcase Cover

Model	Item	Part no	Description	Specification	Quantity	Note
	01	E020036	COVER, R. crankcase comp		1	
	02	E020039	GASKET, R. crankcase cover		1	
	03	E020071	CAP, oil filter		1	
	04	E020072	SCREEN, oil filter		1	
	05	E020073	SPRING, oil filter screen		1	
	06	E020074	OIL LEVEL GAUGE		1	
	07	E020151	CLAMPER, A.C.Generator cord		1	
	08	A030018	OIL SEAL	TC20XØ30X5	1	
	09	A040021	O-RING	Ø30XØ3.5	1	
	10	A040020	O-RING	Ø18XØ2.4	1	
	11	A070018	DOWEL PIN	Ø8X14L	2	
	12	A050124	BOLT, flange	M6X32L P1.0	1	
	13	A050126	BOLT, flange	M6X95L P1.0	4	
	14	A050127	BOLT, flange	M6X100L P1.0	1	
	15	A050128	BOLT, flange	M6X110L P1.0	2	
	16	A050069	BOLT, flange	M6X40L P1.0	1	

D2002-072A

Generator



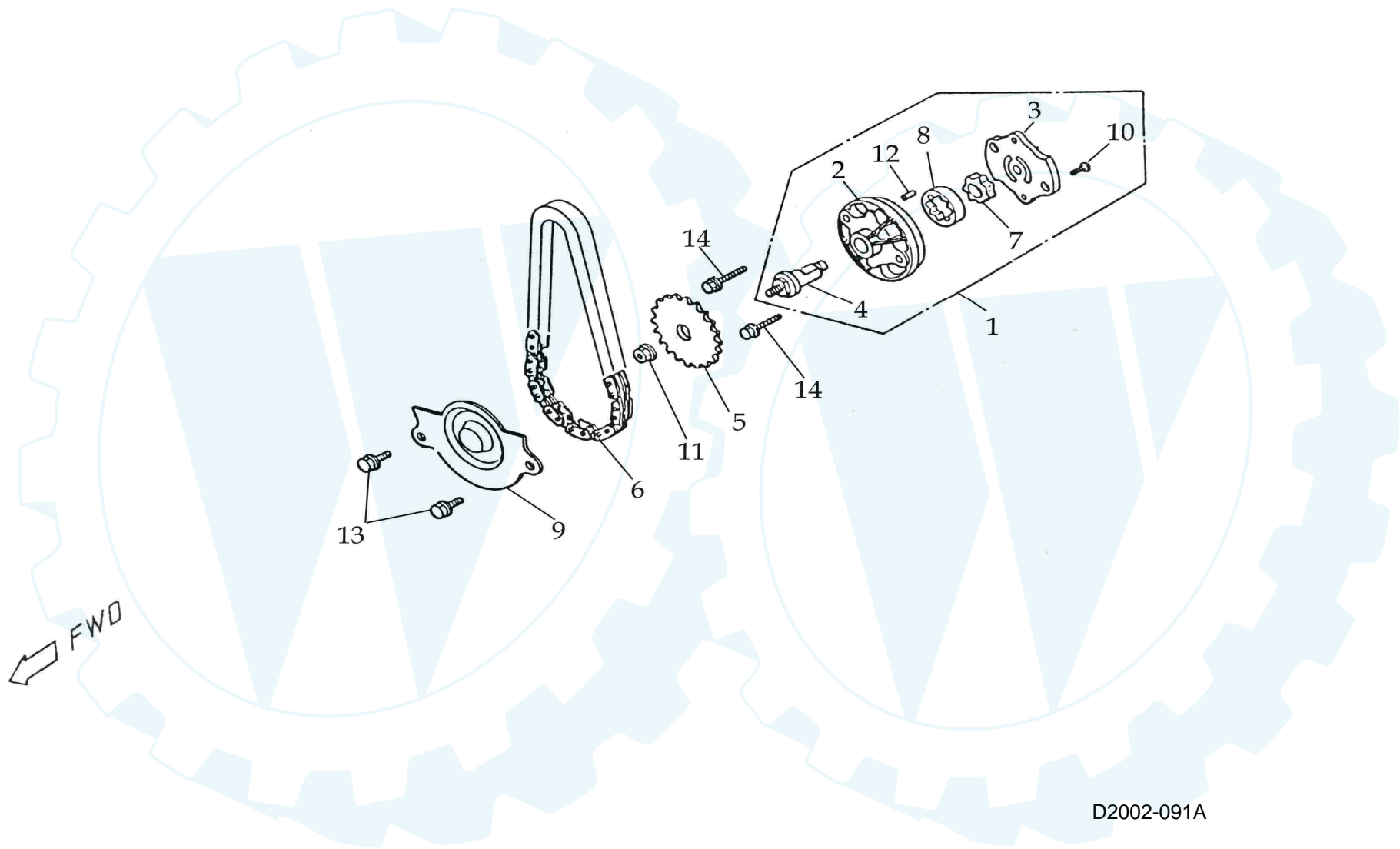
D2002-081A

Generator

Model	Item	Part no	Description	Specification	Quantity	Note
	01	E020075	COOLING FAN COMP		1	
	02	E020076	FLYWHEEL GENERATOR ASSY	TYPE A.C.	1	
	03	E020077	FLYWHEEL COMP		1	
	04	E020078	STATOR COMP		1	
	05	A080031	PLATE WASHER	Ø12.2XØ22	1	
	06	A050149	BOLT, hex	M5X12L	2	
	07	A060038	NUT, flange	M12 P1.25	1	
	08	A050132	BOLT, flange	M6X18L P1.0	4	
	09	A050120	BOLT, flange	M6X20L P1.0	2	

D2002-082A

Oil Pump



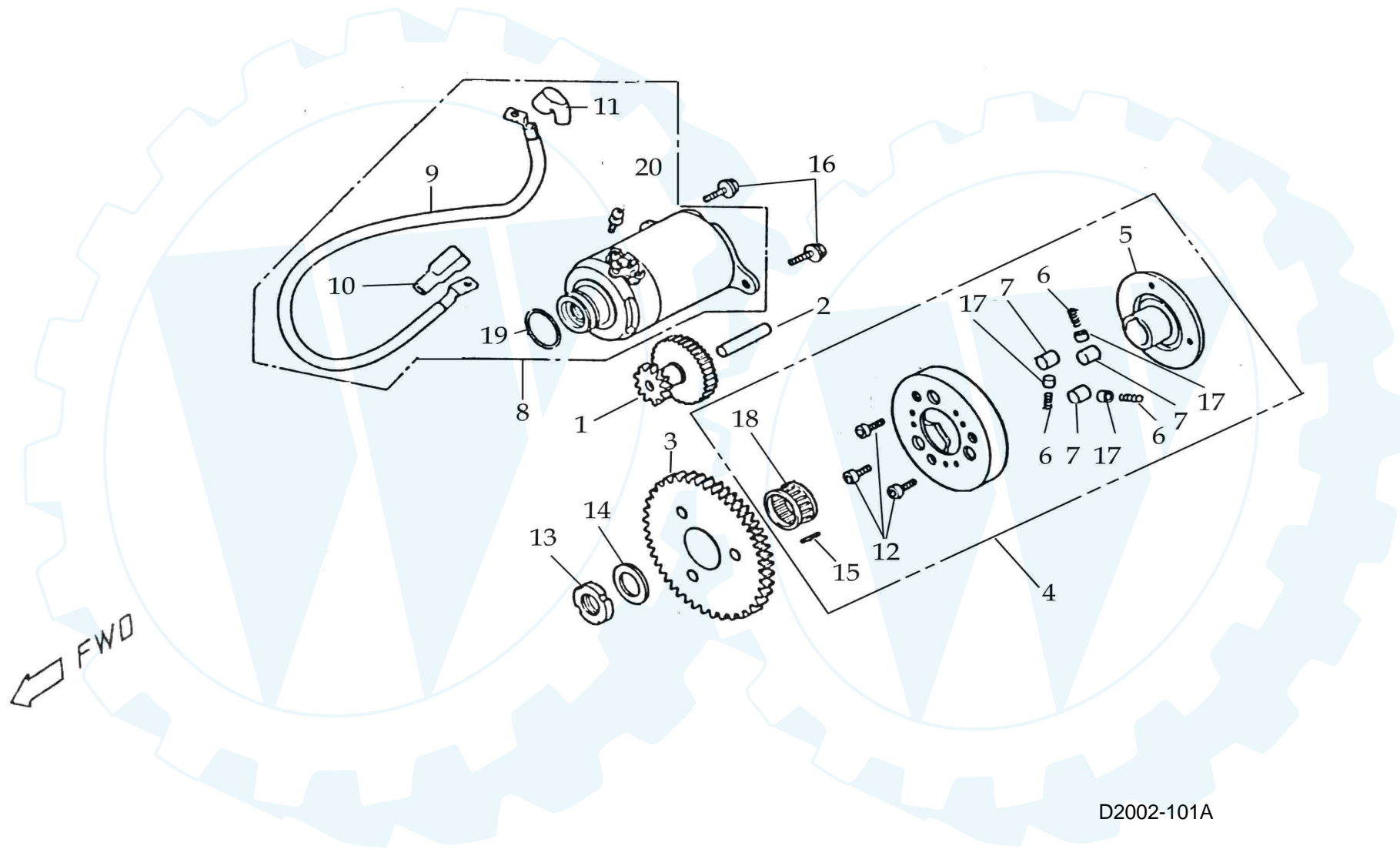
D2002-091A

Oil Pump

Model	Item	Part no	Description	Specification	Quantity	Note
	01	E020079	OIL PUMP ASSY		1	
	02		BODY,oil pump		1	
	03		PLATE, oil pump		1	
	04		SHAFT,oil pump		1	
	05	E020080	SPROCKET, oil pump driven		1	
	06	E020081	CHAIN, oil pump		1	
	07		ROTOR, oil pump inner		1	
	08		ROTOR,oil pump outer		1	
	09	E020082	OIL SEPARATOR		1	
	10		SCREW, pan head	M3X10L	1	
	11	A060017	NUT, flange	M6 P1.0	1	
	12		DOWEL PIN	Ø4X6.5L	1	
	13	A050129	BOLT,flange	M6X12L P1.0	2	
	14	A050121	BOLT,flange	M6X25L P1.0	2	

D2002-092A

Starting Motor



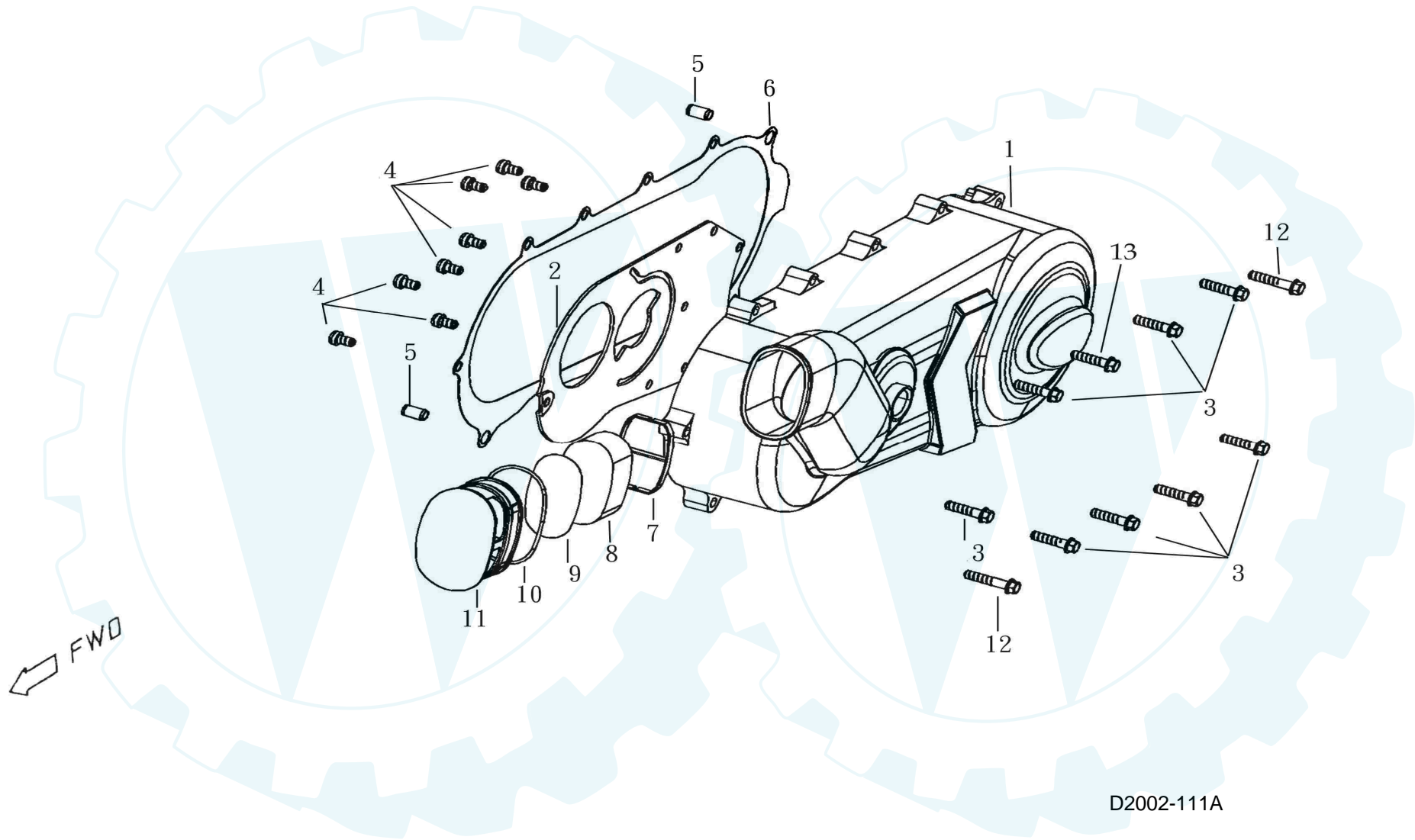
D2002-101A

Starting Motor

Model	Item	Part no	Description	Specification	Quantity	Note
	01	E020083	GEAR, starter reduction		1	
	02	E020084	SHAFT, starter reduction gear		1	
	03	E020085	GEAR, starter clutch		1	
	04	E020117	START CLUTCH ASSY'		1	
	05		FLANGE, starter reduction		1	
	06		SPRING, starter reduction roller		3	
	07		CAP, starter reduction roller spring		3	
	08	E020086	STARTER MOTOR ASSY		1	
	09		CABLE, starter motor		1	
	10		INSULATE SLEEVE A		1	
	11		INSULATE SLEEVE B		1	
	12		BOLT, socket	M6X12L P1.0	3	
	13	A060039	NUT, lock	M22 P1.0	1	
	14	A080075	THRUST WASHER	Ø23	1	
	15		DOWEL PIN	Ø5X6L	1	
	16	A050130	BOLT, flange	M6X16L P1.0	2	
	17		ROLLER	Ø10X10L	3	
	18		BEARING, needle	28X32X17	1	
	19		O-RING	Ø24.4XØ3.1	1	
	20		SCREW-WASHER	M5X8L	1	

D2002-102A

Left Crankcase Cover



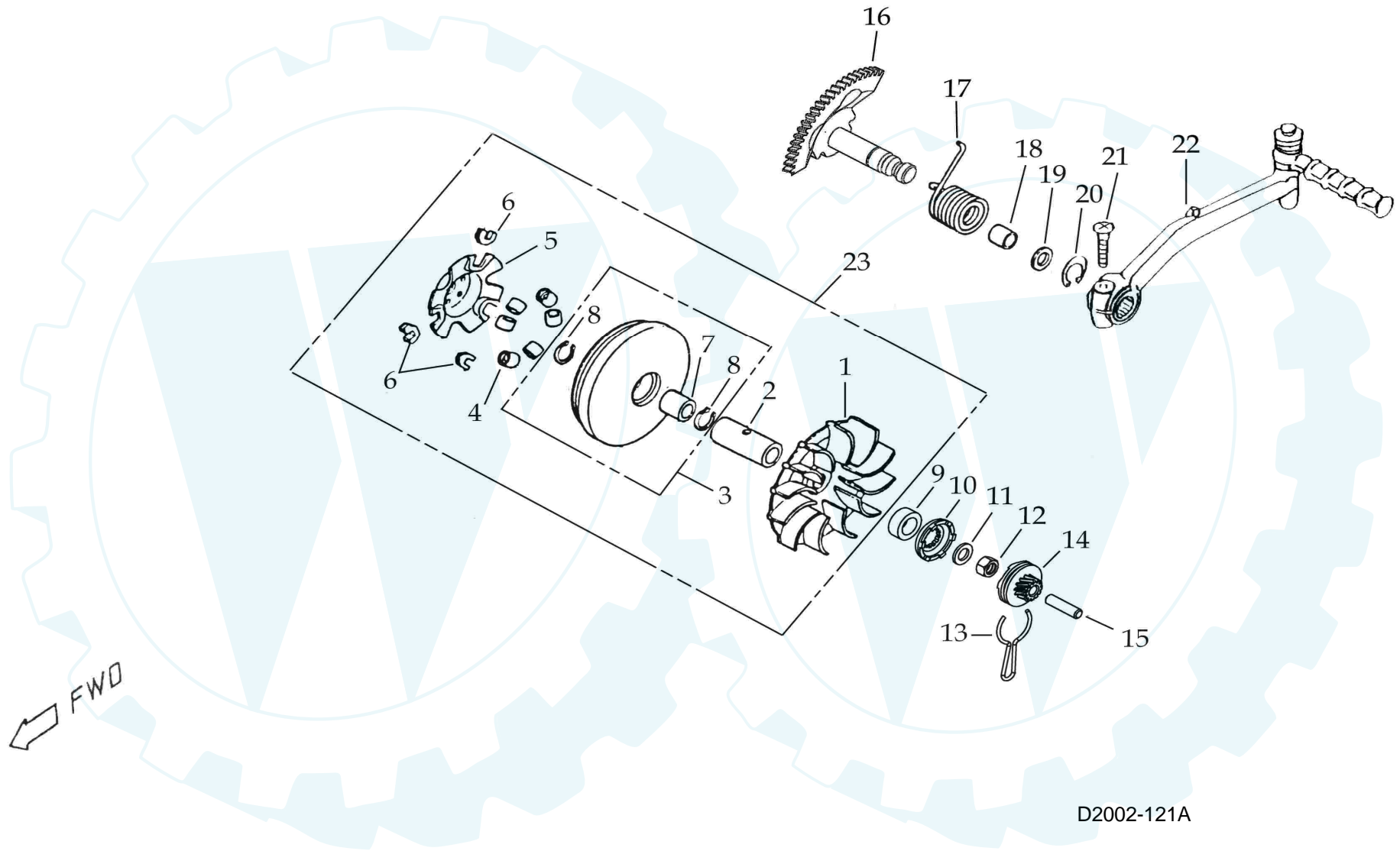
D2002-111A

Left Crankcase Cover

Model	Item	Part no	Description	Specification	Quantity	Note
	01	E020008	COVER, L.		1	
	02	E020030	PLATE, L. cover		1	
	03	A050121	BOLT, flange	M6X25L P1.0	8	
	04	A050044	SCREW, pan	M6X10L P1.0	8	
	05	A070009	DOWEL PIN	Ø10X14L	2	
	06	E020033	GASKET, L. cover		1	
	07	E020146	FILTER STOPPER		1	
	08	E020025	AIR FILTER		1	
	09	E020024	WOVEN WIRE CLOTHS		1	
	10	E020149	SPRING, bind ring		1	
	11	E020145	COVER, breather		1	
	12	A050122	BOLT, flange	M6X30L P1.0	2	
	13	A050130	BOLT, flange	M6X16L P1.0	1	

D2002-112A

Drive Pulley



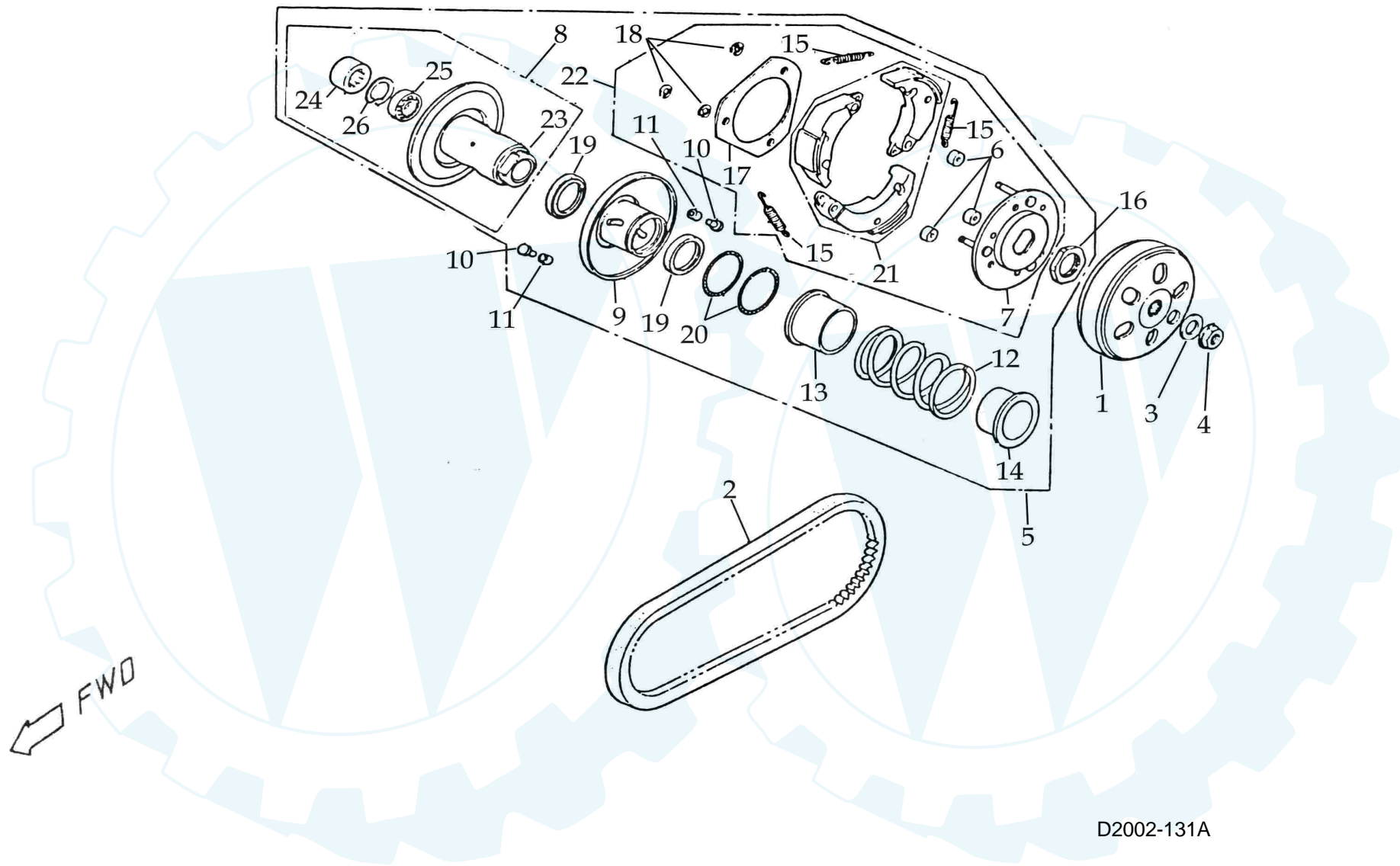
D2002-121A

Driven Pulley

Model	Item	Part no	Description	Specification	Quantity	Note
.	01	E020087	FACE, DRIVEN		1	
.	02	E020142	DRIVE FACE BOSS	Ø17XØ24X51.5	1	
.	03	E020089	MOVABLE DRIVEN FACE COMP		1	
.	04	E020090	ROLLER SET, weight		6	
.	05	E020148	RAMP PLATE		1	
.	06	E020092	SLIDE PIECE		3	
.	07		COLLAR, driven face		1	
.	08		CIRCLIP	Ø28	2	
.	09	E020017	COLLAR	Ø15X9.4L	1	
.	10	E020019	ONEWAY CLUTCH		1	
.	11	A080029	WASHER, conical spring	Ø10.5XØ24	1	
.	12	A060021	NUT, flange	M10 P1.25	1	
.	13	E070090	CLIP		1	
.	14	E070091	KICK PINION ASSEMBLY		1	
.	15	E070071	SHAFT	Ø8X31L	1	
.	16	E020020	KICK SHAFT ASSEMBLY		1	
.	17	E070082	TORSION SPRING		1	
.	18	E070083	SOLID BUSH		1	
.	19	A080023	PLATE WASHER	Ø15XØ28X1.0	1	
.	20	A100008	CIRCLIP	Ø15	1	
.	21	A050051	BOLT	M6X25L P1.0	1	
.	22	E070085	KICK CRANK ASSMBLY		1	
.	23	E020164	PRIMARY SLIDING SHEAVE COMPLETE		1	

D2002-122A

Driven Pulley

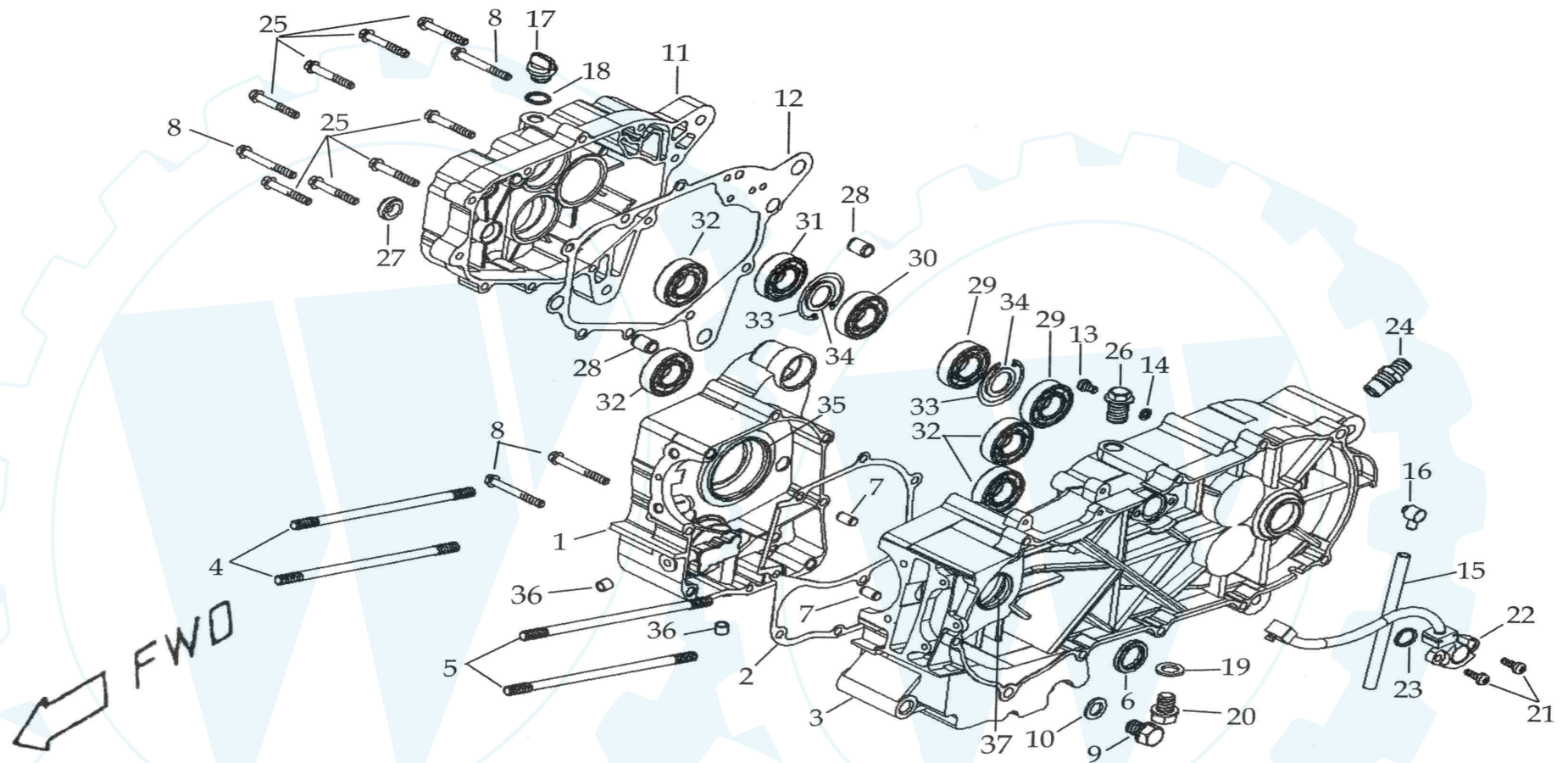


Driven Pulley

Model	Item	Part no	Description	Specification	Quantity	Note
	01	E020093	OUTER,clutch		1	
	02	E020094	DRIVE BELT	799X20X30	1	
	03	A080076	PLATE WASH	Ø12.2XØ29X2.5	1	
	04	A060043	NUT, flange	M12X1.25X8t	1	
	05	E020095	DRIVEN PULLEY ASSY'		1	
	06		CLUTCH DAMPER RUBBER		3	
	07		DRIVEN PLATE COMP		1	
	08		DRIVEN FACE ASSY'		1	
	09		MOVABLE DRIVEN FACE COMP		1	
	10		ROLLER GUIDE PIN		3	
	11		GUIDE ROLLER		3	
	12		SPRING, driven face		1	
	13		ROLLAR, seal		1	
	14		ROLLAR, spring		1	
	15		SPRING,CLUTCH		3	
	16		NUT,special	M28	1	
	17		PLATE,clutch side		1	
	18		CIRCLIP	Ø7	3	
	19		SEAL, driven face	Ø34XØ41X4	2	
	20		O-RING		2	
	21		WEIGHT SET,clutch		1	
	22		DRIVEN PLATE ASSY'		1	
	23		FACE COMP,driven		1	
	24		BEARING,needle	20X29X18	1	
	25		BEARING, ball radial	6902U	1	
	26		INTERNAL CIRCLIP	Ø28	1	

D2002-132A

Crankcase



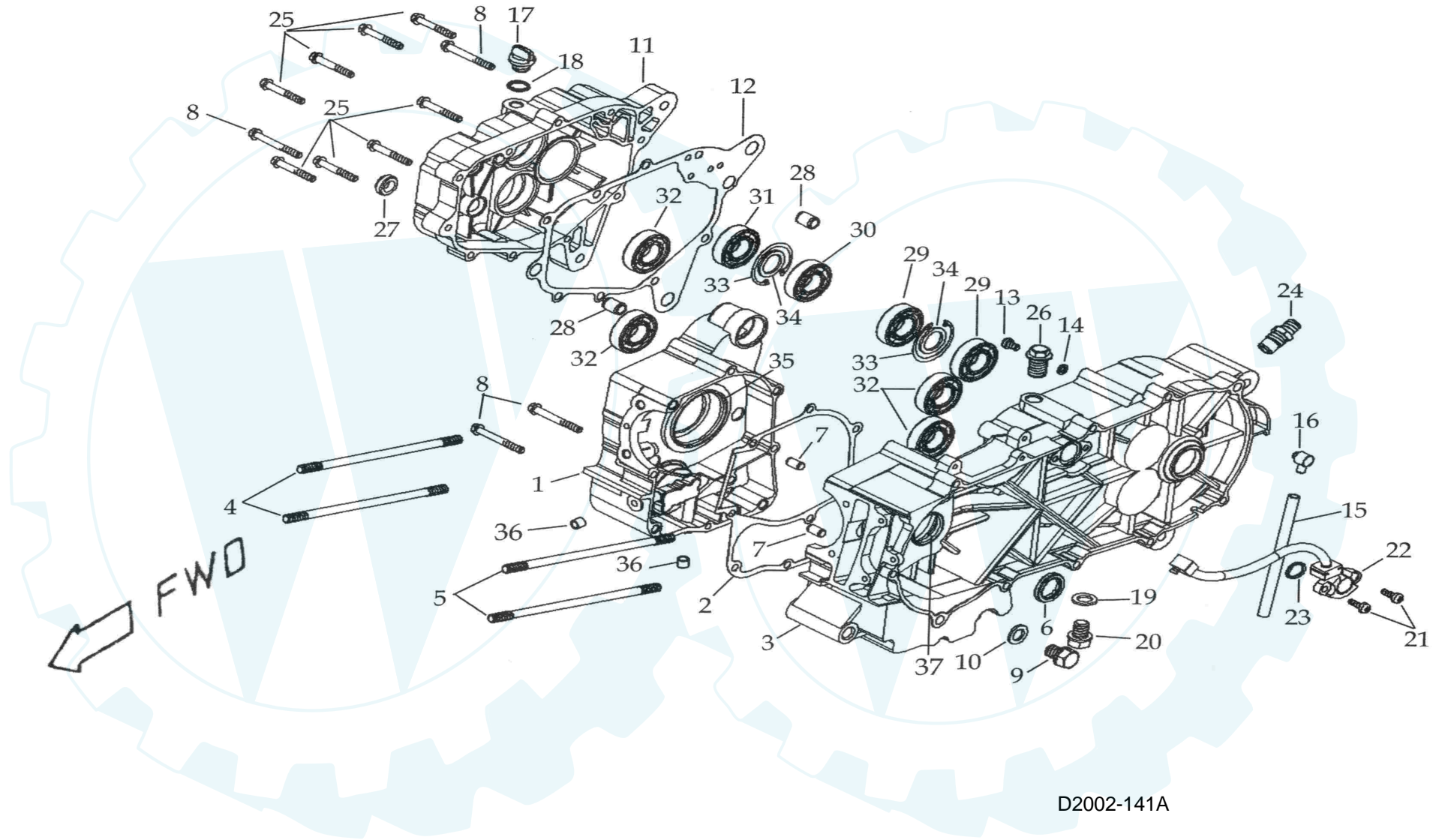
D2002-141A

Crankcase

Model	Item	Part no	Description	Specification	Quantity	Note
.	01	E020035	CRANKCASE R.		1	
.	02	E020038	GASKET, crankcase		1	
.	03	E020032	CRANKCASE ASSY L.		1	
.	04	A140007	STUD BOLT	M8X187.5L	2	
.	05	A140008	STUD BOLT	M8X195.5L	2	
.	06	A030018	OIL SEAL	TC20XØ30X5	1	
.	07	A070018	DOWEL PIN	Ø8X14	2	
.	08	A050070	BOLT FLANGE	M6X50L P1.0	4	
.	09	A050071	BOLT DRAIN PLUG	M12X15 P1.5	1	
.	10	A080052	WASHER DRAIN PLUG	Ø12.2XØ20X2.0	1	
.	11	E060026	COVER,gear		1	
.	12	E060046	GASKET		1	
.	13	A050044	SCREW, pan head	M6X10L P1.0	1	
.	14	A080026	WASHER, plate	Ø6.5XØ19X1.2	1	
.	15	E070062	BREATHER HOSE	Ø3.5XØ7.2X120	1	
.	16	E070063	CONNECT,breather hose		1	
.	17	E060049	PLUG, oil		1	
.	18	A040005	O-RING	Ø13.8XØ2.4	1	
.	19	A080052	WASHER DRAIN PLUG	Ø12.2XØ20X2.0	1	
.	20	A050071	BOLT DRAIN PLUG	M12X15 P1.5	1	
.	21	A050035	SCREW, pan head	M5X14L	2	
.	22	E020179	INDICATOR,gear shift		1	
.	23	A040012	O-RING	Ø21X2.4	1	
.	24	E060035	SPEEDOMETER CONNECTOR		1	
.	25	A050069	BOLT, flange	M6X40L P1.0	8	
.	26	E060021	BOLT, shift lock		1	
.	27	E060047	OIL INDICATOR	Ø20	1	
.	28	A070008	DOWN PIN	Ø12X16L	2	
.	29	A010036	BEARING, radial ball	16004	2	
.	30	A010025	BEARING, radial ball	6004	1	
.	31	A010026	BEARING, radial ball	6004LU	1	
.	32	A010022	BEARING, radial ball	6302Z	4	
.	33	A100005	INTERNAL CIRCLIP	Ø42	2	

D2002-142A

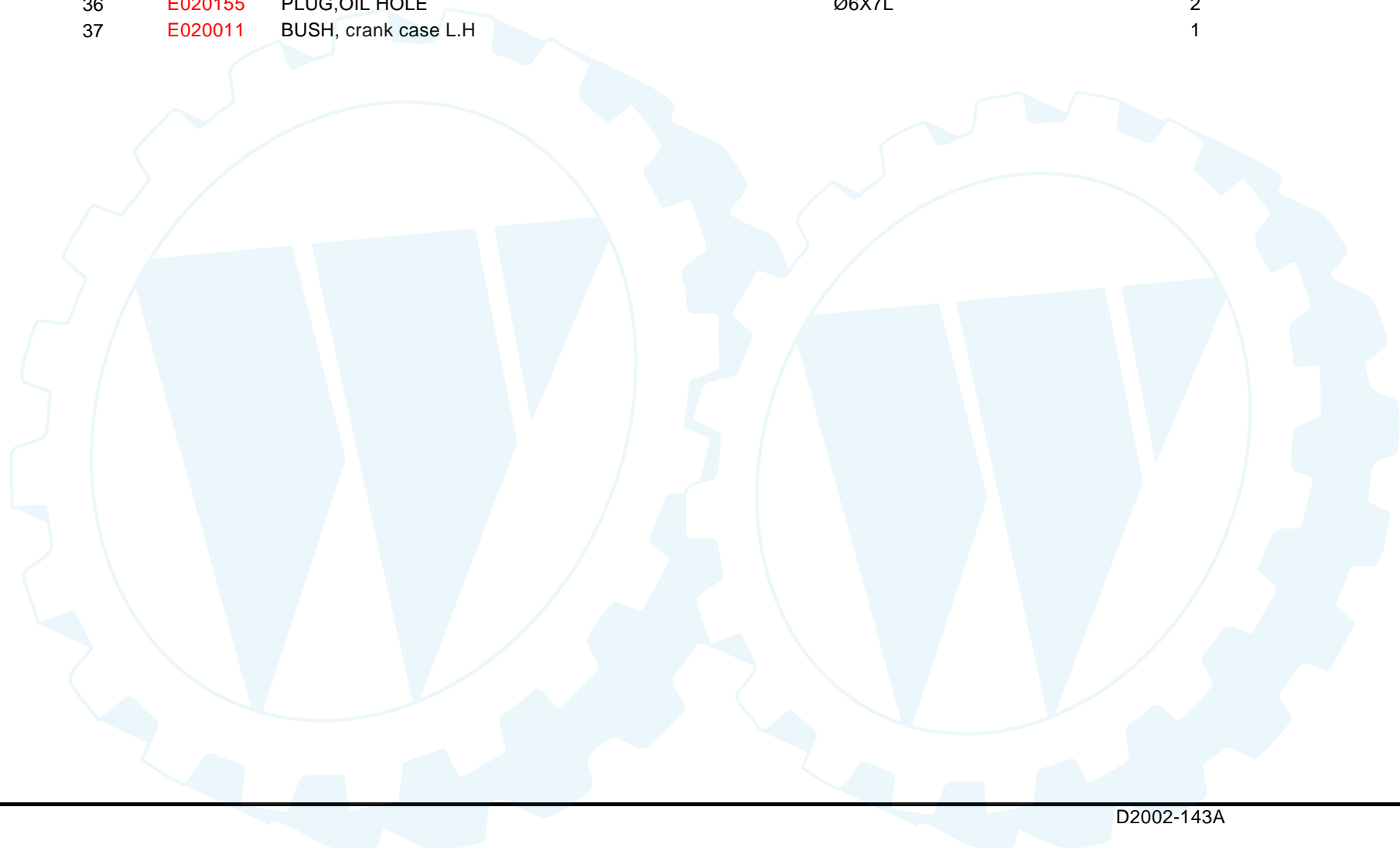
Crankcase



D2002-141A

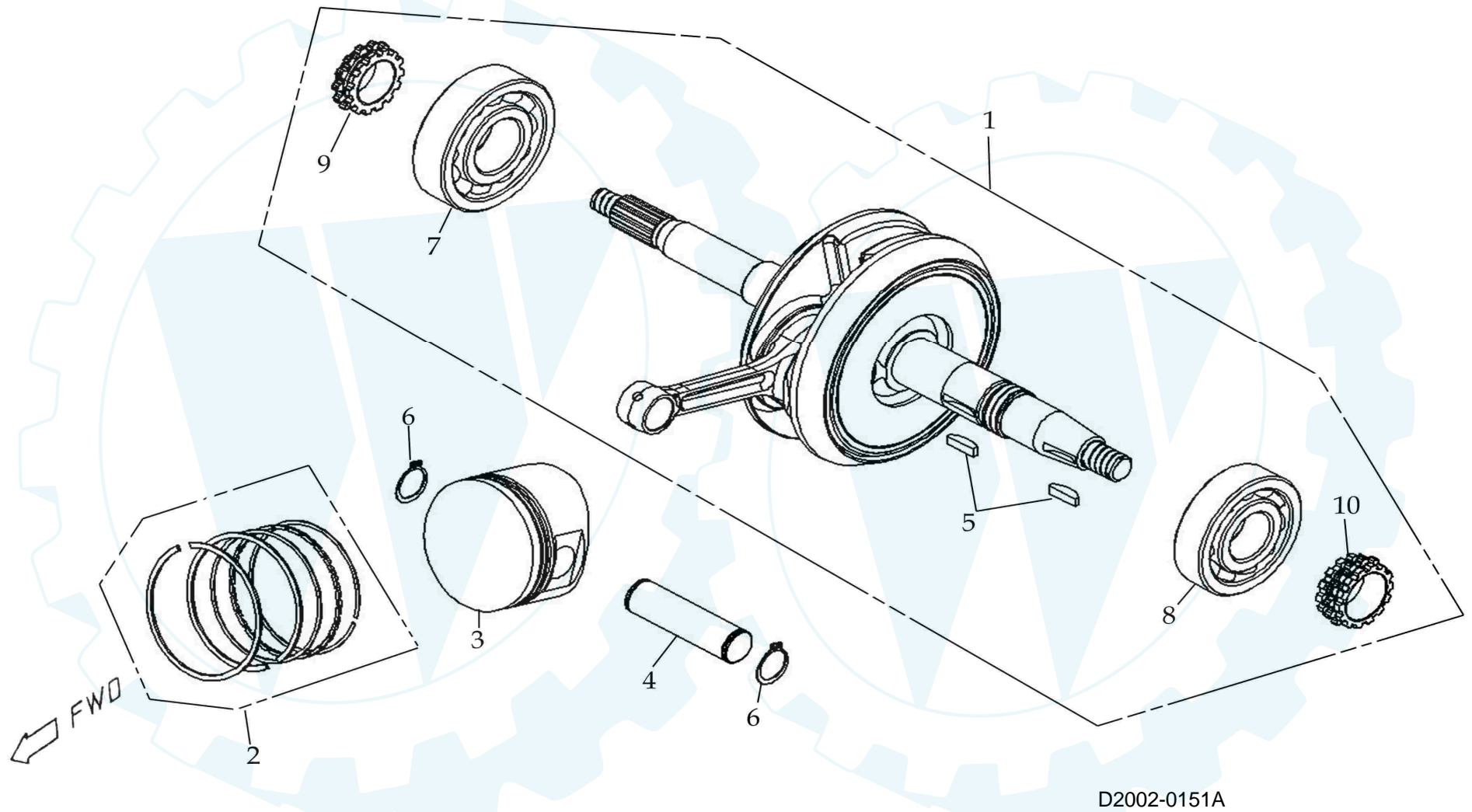
Crankcase

Model	Item	Part no	Description	Specification	Quantity	Note
	34	A080071	PLATE WASH	Ø20.2X28X1.7	2	
	35	E020118	BUSH,crank case R.H		1	
	36	E020155	PLUG,OIL HOLE	Ø6X7L	2	
	37	E020011	BUSH, crank case L.H		1	



D2002-143A

Crankshaft.Piston



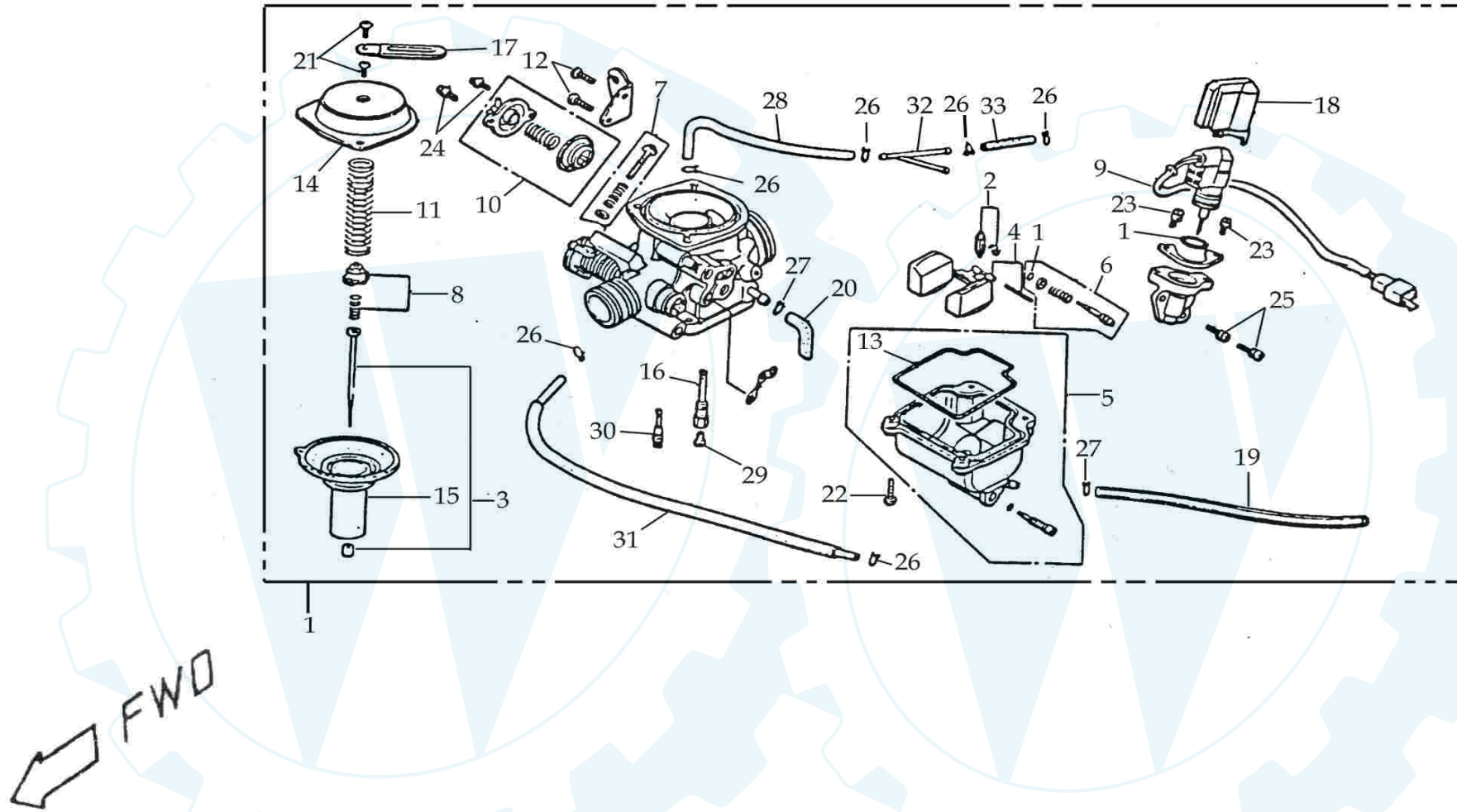
D2002-0151A

Crankshaft.Piston

Model	Item	Part no	Description	Specification	Quantity	Note
	01	E020015	CRANKSHAFT COMP		1	
	02	E020097	RING SET PISTON (STD.)		1	
	03	E020099	PISTON (STD.)	Ø57.4	1	
	04	E020126	PISTON PIN		1	
	05	A120002	KEY WOODRUFF	25X14X4	2	
	06	E020102	CLIP PISTON PIN	Ø15	2	
	07	A010037	BEARING	22BC05S9NC2	1	
	08	A010038	BEARING	6305	1	
	09	E020018	TIMING GEAR	17T	1	
	10	E020031	DRIVEN SPROCKET OIL PUMP	17T	1	

D2002-152A

Carburetor (WVF)



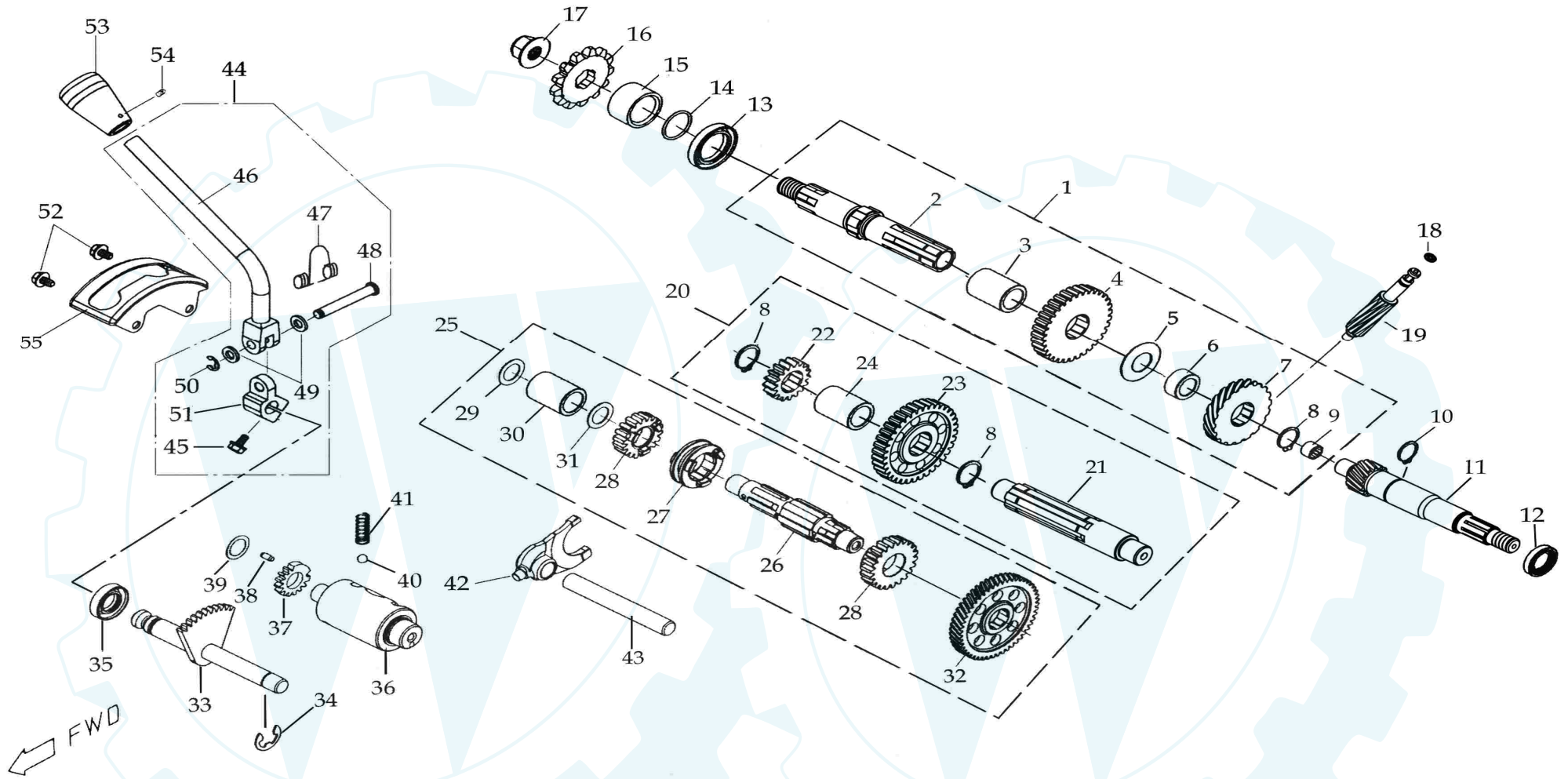
D2002-161A

Carburetor (WVF)

Model	Item	Part no	Description	Specification	Quantity	Note
	01	E020104	CARBURETOR ASSY'		1	
.	02		FLOAT VALVE SET		1	
.	03		NEEDLE SET, jet		1	
.	04		FLOAT SET		1	
.	05		FLOAT CHAMBER SET		1	
.	06		SCREW SET A		1	
.	07		SCREW SET B		1	
.	08		PLATE SET, valve		1	
.	09		VALVE SET, starter		1	
.	10		VALVE SET, air cut		1	
.	11		SPRING, compression oil		1	
.	12		SCREW, pan	M15X12L	2	
.	13		GASKET SET		1	
.	14		TOP COMP		1	
.	15		VACUUM PISTON COMP		1	
.	16		NEEDLE JET HOLDER		1	
.	17		BINDER		1	
.	18		CAP, holder		1	
.	19		TUBE		1	
.	20		TUBE		1	
.	21		SCREW, pan	M4X8L	2	
.	22		SCREW, pan	M4X14L	4	
.	23		SCREW-WASHER	M4X8L	2	
.	24		SCREW-WASHER	M4X10L	2	
.	25		SCREW-WASHER	M4X12L	2	
.	26		TUBE CLIP	B7	6	
.	27		TUBE CLIP	B8	2	
.	28		TUBE	Ø3.5X130	1	
.	29		MAIN JET	#110	1	
.	30		SLOW JET	#35	1	
.	31		TUBE	350MM	1	
.	32		JOINT 3 WAY 3.5		1	
.	33		TUBE	Ø3.5X40	1	

D2002-162A

Transmission(H/R. GEAR + Speedometer)



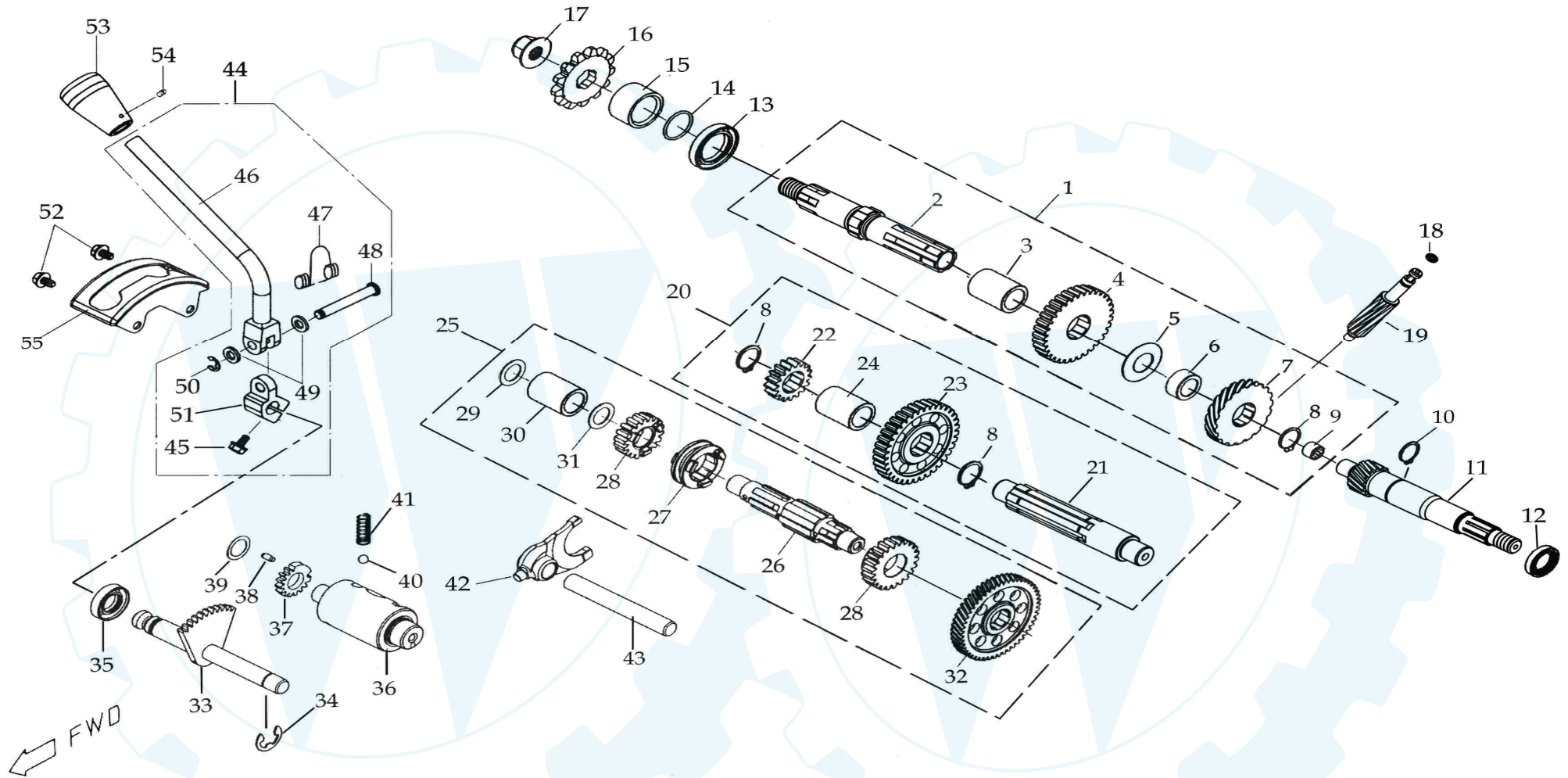
D2002-171A

Transmission(H/R. GEAR + Speedometer)

Model	Ref no	Part no	Description	Specification	Quantity	Note
	01	E020167	MAIN SHAFT ASSY'		1	
	02	E060017	SHAFT, output		1	
	03	E060019	COLLAR	Ø28XØ20.2X22.2	1	
	04	E060008	GEAR , output H	33T	1	
	05	A110011	SPRING , disk	Ø40XØ20.4X1t	1	
	06	E060032	COLLAR	Ø28XØ20.2X7.2	1	
	07	E060034	GEAR, speedometer drive	20T	1	
	08	A100010	CIRCLIP , external	Ø20	3	
	09	A010023	BEARING , needle roller	TLA1010Z	1	
	10	A100009	CIRCLIP , external	Ø17	1	
	11	E020021	GEAR , primary drive	M1.5X15T	1	
	12	A030018	OIL SEAL	TC20X30X5	1	
	13	A030014	OIL SEAL	TC27XØ42X7	1	
	14	A040013	O-RING	Ø19XØ1.5	1	
	15	E060020	COLLAR	Ø27XØ20X16	1	
	16	E060066	SPROCKET, drive	428X16T	1	
	17	A060006	U NUT	M14 P1.5	1	
	18	A040011	O-RING	Ø6X1.9	1	
	19	E060036	SPEEDOMETER SHAFT	10T	1	
	20	E020170	REVERSE SHAFT ASSY'		1	
	21	E020171	REVERS SHAFT		1	
	22	E020169	GEAR 2ND , reverse R3	M1.75X22T	1	
	23	E060037	GEAR 2ND , reverse R2	M1.75X37T	1	
	24	A090007	COLLAR	Ø28XØ20.2X27.2	1	
	25	E020172	COUNT SHAFT ASSY'		1	
	26	E020173	COUNTER SHAFT		1	
	27	E060011	CLUTCH , R.H		1	
	28	E060010	GEAR, counter R.H	M1.75X22T	2	
	29	A080046	SPACER	Ø23XØ15.2X1	1	
	30	A090006	SPACER	Ø28XØ20.2X31.7	1	
	31	A080057	SPACER	Ø27XØ20.2X0.5	1	
	32	E020022	GEAR , counter P2	M1.5X50T	1	
	33	E060015	SHAFT, gearshift		1	

D2002-172A

Transmission(H/R. GEAR + Speedometer)



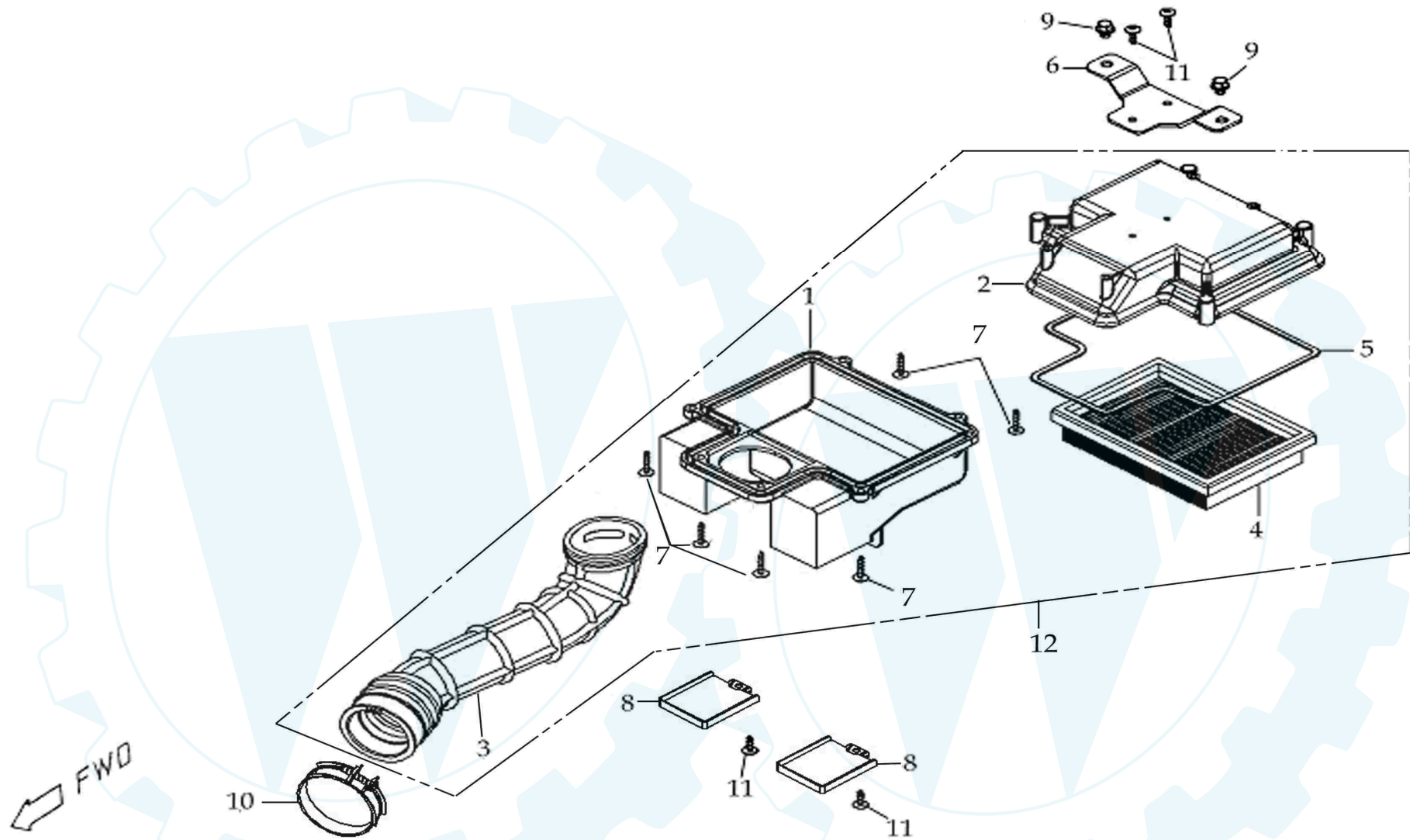
D2002-171A

Transmission(H/R. GEAR + Speedometer)

Model	Ref no	Part no	Description	Specification	Quantity	Note
	34	A100002	RETAINING RINGS E TYPE	Ø10	1	
	35	A030015	OIL SEAL	TC Ø14XØ28X7	1	
	36	E020178	CAM SHAFT		1	
	37	E060014	GEAR , camshaft	M1.5X16T	1	
	38	E060024	DOWEL PIN	Ø4X6L	1	
	39	A080045	SPACER	Ø14.2XØ19.8X0.5	1	
	40	A150001	BALL,bearing	Ø9.525	1	
	41	A110001	SPRING,compression	Ø8X25L P0.9	1	
	42	E010031	FORK		1	
	43	E060006	FORK SHAFT		1	
	44	E060053	GEAR SHIFT ASSY'		1	
	45	A050051	BOLT	M6X25L P1.0	1	
	46	F060062	LEVER , gear shift		1	
	47	A110013	SPRING , gear shift		1	
	48	E060045	SHAFT , gear shift		1	
	49	A080025	WASHER , plate	Ø8.2XØ15X2.0	2	
	50	A100012	RETAINING RINGS E TYPE	Ø7	1	
	51	E060042	CONNECTER , gear shift		1	
	52	A050091	MACHINE SCREW	M6X12L P1.0	2	
	53	E060028	CONICAL KNOBS		1	
	54	A050072	SCREW , hexagon socket	M4X5L P0.7	1	
	55	E060108	INDICATOR , gear shift		1	

D2002-173A

Intake



D2002-181A

Intake

Model	Ref no	Part no	Description	Specification	Quantity	Note
	01	E020135	COVER, air cleaner		1	
	02	E020136	CASE, air cleaner		1	
	03	E020141	PIPE COMP		1	
	04	E020131	ELEMENT COMP, air cleaner		1	
	05	E020140	GASKET		1	
	06	E020139	HOLDER		1	
	07	A130004	TAPPING SCREW	M4X20 P0.7	6	
	08	E020160	MESH,air cleaner		2	
	09	A050081	BOLT, flange	M6X10L P1.0	2	
	10	E020134	BAND, insulator	Ø50	1	
	11	A130002	TAPPING SCREW	M4X12 P0.7	4	
	12	E020129	AIR CLEANER ASSY'		1	

D2002-182A